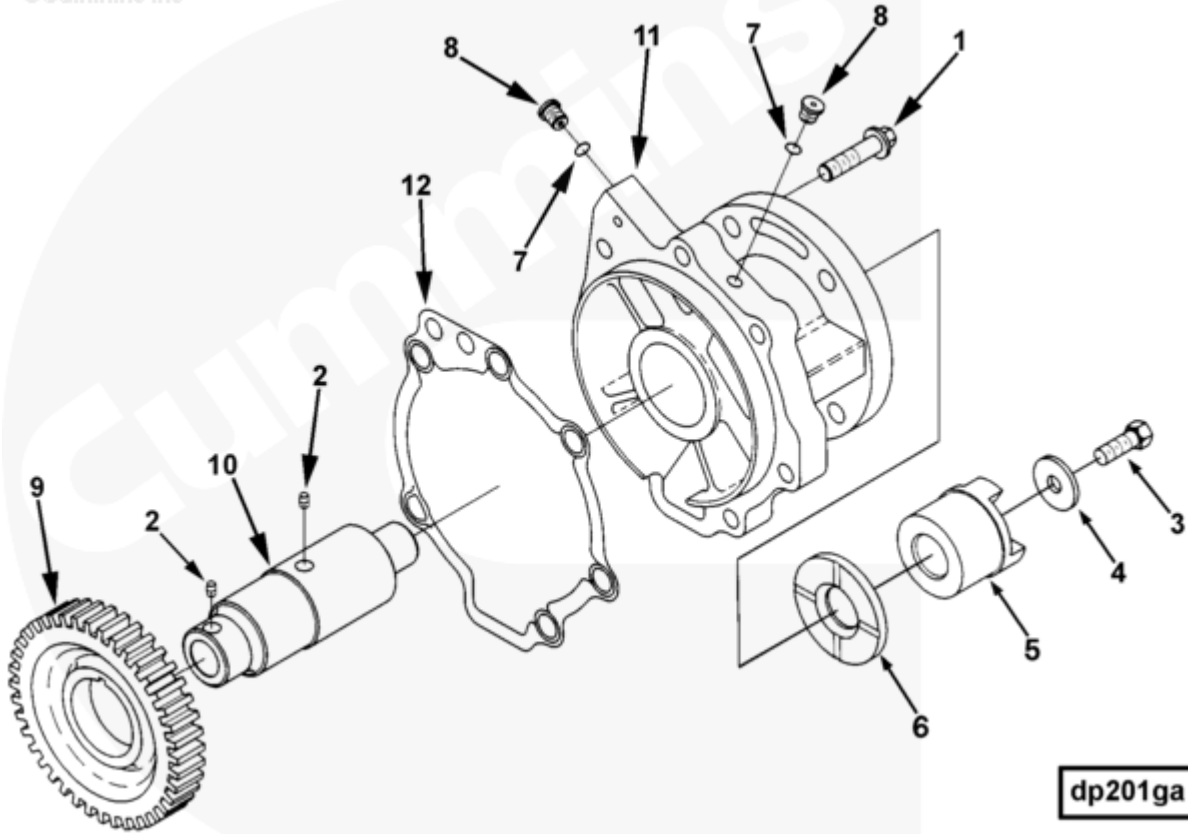




## Parts Catalog - Option Detail

Electronic Parts Catalog - Option Detail				
Option	Group	Graphic	Film Card	Date
DP2701-05	09.01	dp201ga	II	15-JAN-04
<b>Engines</b>	ISM CM570, ISM CM570/870, ISM CM875, ISM CM876, ISM CM876 E, ISM11 CM876 M103, ISM11 CM876 SN, M11 CELECT, M11 CELECT PLUS, M11 MECHANICAL, QSM11 CM570, QSM11 CM876			

©Cummins Inc



**dp201ga**

[SMALL](#) | [MEDIUM](#) | [LARGE](#)

Cart	Ref No	Part Number	Part Description	Required	Remarks
<a href="#">View My Cart</a>					
		<a href="#">DP2701-05</a>	Fuel Pump Drive		<a href="#">MR - DRIVE, FUEL PUMP...(More)</a>
					Engine Family: M11
					Drive Provision: Less Air
					Compressor
<input type="checkbox"/>	1	<a href="#">3883123</a>	Hexagon Flange Head Cap Screw	6	M10 x 1.50 x 40

<input type="checkbox"/>		<a href="#">3896047</a>	Gear Accessory Drive Shaft	1	Recon equivalent 3896047 RX
<input type="checkbox"/>	2	<a href="#">S 3193</a>	Groove Pin	1	
<input type="checkbox"/>	3	<a href="#">129510</a>	Hexagon Head Cap Screw	1	3/8 - 16 X 1 Inch.
<input type="checkbox"/>	4	<a href="#">170664</a>	Plain Washer	1	3/8 Inch.
<input type="checkbox"/>	5	<a href="#">3000175</a>	Jaw Coupling Hub	1	
<input type="checkbox"/>	6	<a href="#">3028309</a>	Thrust Bearing	1	
<input type="checkbox"/>		<a href="#">4903443</a>	Threaded Plug	2	3/8 inch
<input type="checkbox"/>	7	<a href="#">3034412</a>	O-Ring Seal	1	
	8	<a href="#">4903442</a>	Threaded Plug	1	
<input type="checkbox"/>		<a href="#">3041048</a>	Gear And Shaft	1	
<input type="checkbox"/>	2	<a href="#">S 3193</a>	Groove Pin	1	
<input type="checkbox"/>	9	<a href="#">3041042</a>	Accessory Drive Gear	1	
<input type="checkbox"/>	10	<a href="#">3041043</a>	Accessory Drive Shaft	1	
<input type="checkbox"/>	11	<a href="#">3896048</a>	Accessory Drive Support	1	
<input type="checkbox"/>	12	<a href="#">3899746</a>	Accessory Drive Support Gasket	1	